



Installation Instructions BRIO LX

WARNING !

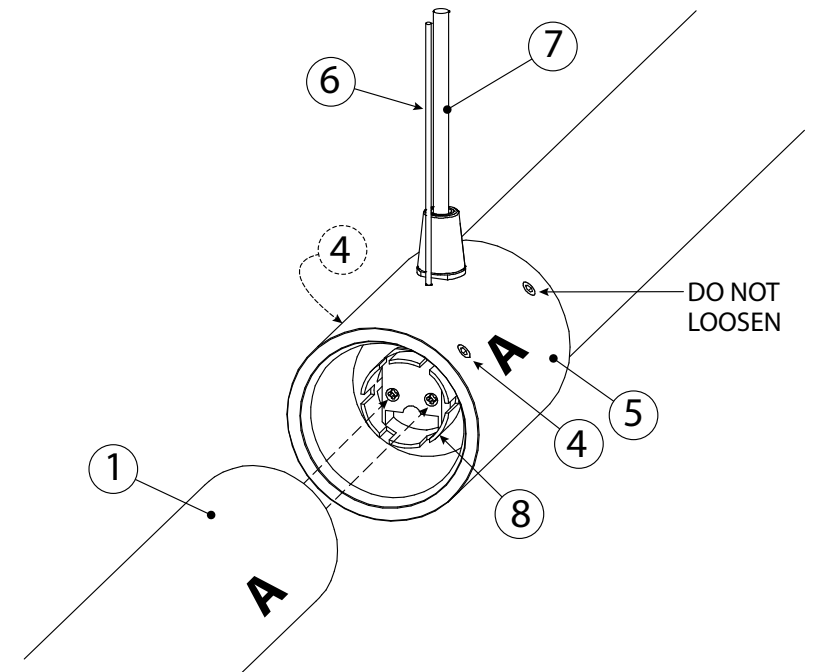
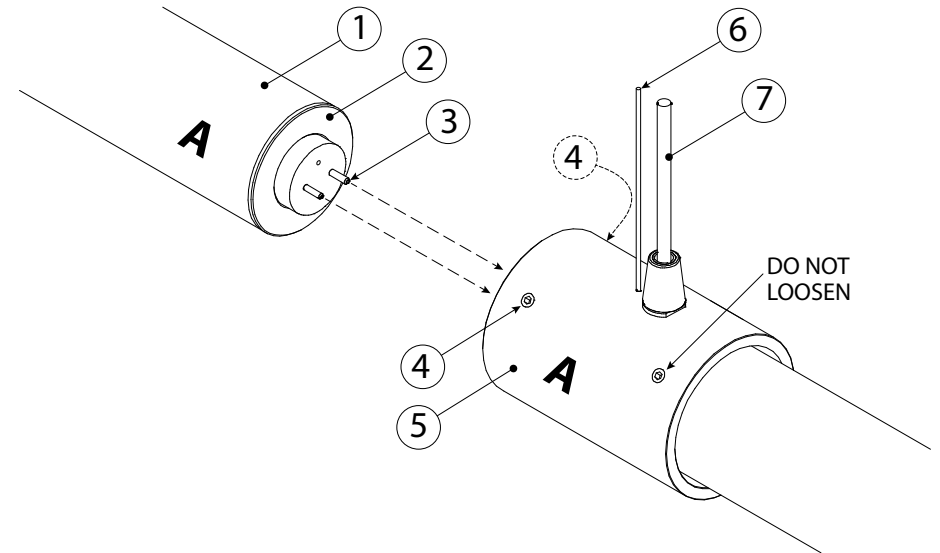
- Read all instructions before installing.
- Turn off power at main switch before installing or modifying the system.
- For installation by a qualified electrician.
- Luminaire is intended for installation in accordance with National Electric Code and local regulations. Consult with local inspector to assure compliance.
- Retain these instructions for future reference.

NOTE

- SUITABLE FOR DAMP LOCATIONS / CONVIENT AUX EMPLACEMENTS HUMIDES
- MIN 90°C SUPPLY CONDUCTORS / LES FILS D'ALIMENTATION DOIVENT CONVENIR POUR 90°C
- The Brio LX is designed to be suspended. The Brio LX 600, 900, 1200 and 1500 hang from two points: the canopy on one end and a point on the ceiling on the other end. The Brio 2400, 3000 and other multiple unit combinations hang from three or more points - one above each end and joint.
- The canopies are designed to work with a standard round or octagonal J-Box (supplied and installed by others)

FIXTURE ASSEMBLY

- Brio LX 600, 900, 1200 and 1500 are fully assembled at the factory - skip to the Installation section
- Brio LX 2400, 3000 and other custom combination are shipped as separate sections and must be assembled on site. There are two methods of assembly:
 1. Install the first section, then add the next section to the previously installed section. Continue adding section until the fixture is complete. This is the preferred method.
 2. Pre-assemble the entire fixture on the ground or a staging platform and then install the entire unit. If this method is used note that the joints between sections must all be supported equally at all times when moving the fixture.
- The ends of any section requiring on-site assembly are labeled at the factory with letters. **A** joins to **A**, **B** joins to **B**, etc. A drawing will be included with the fixtures that illustrates the final fixture configurations and mounting dimensions.
- To assemble any two sections:
 1. Using the 2.5mm hex key (supplied) make sure the two set screws [4] are fully backed out.
 2. Align the pins [3] with the holes in the lamp holder [8] and gently insert the LED Diffuser Assembly [1+2+3] into the center block [5]. **DO NOT FORCE OR TWIST** - this may damage the pins [3].
 3. Once the LED Diffuser Assembly is fully seated tighten the two set screws [4]. the heads of the set screws should be approximately flush with the surface of the center block [5].





Installation Instructions BRIO LX

INSTALLATION

- Attach the cross bar [13] to the J-Box [14] using two 8-32 screws [12].
 - Thread the cord [7] from the pendant through the strain relief [11] on the canopy [10].
 - Inside the junction box [14], connect the fixture's wires to the branch circuit using approved wire connectors.
 - Attach the Brio's canopy [10] to the J-Box [14] by screwing the cable gripper [9] through the canopy [10] and into the cross bar [13].
 - Insert the stainless steel suspension cable [6] into the cable gripper [9]
 - adjust both the power cable and the suspension cable [6] to the desired length.
 - The power cable may be left longer than or equal to the length of the suspension cable. The power cable should not support any weight of the fixture.
-
- Refer to the drawing included with the fixtures, or measure the distance between the steel suspension cables on the Brio. One of these suspension cables will be located in the center of the canopy / J-Box. Mark the other steel cable location(s) as required on the ceiling.
 - On the non-powered suspension points, the cable gripper has two parts - one part that mounts to the ceiling [15] and the gripper [16] that screws into the mount.
 - Attach the mount(s) [15] to the other location(s) previously marked on the ceiling.
 - Feed the loose end of the suspension cable through the cable gripper [16]. Screw the cable gripper into the mount. The extra cable length goes through the slot on the side of the mount.
 - Adjust the lengths of the steel suspension cables as desired. Any extra cable may be cut off.
 - **NOTE:** When installing any Brio LX with more than two suspension cables the entire fixture must be supported equally from all points.

