



Installation Instructions CORE & QUBE Yoke

WARNING !

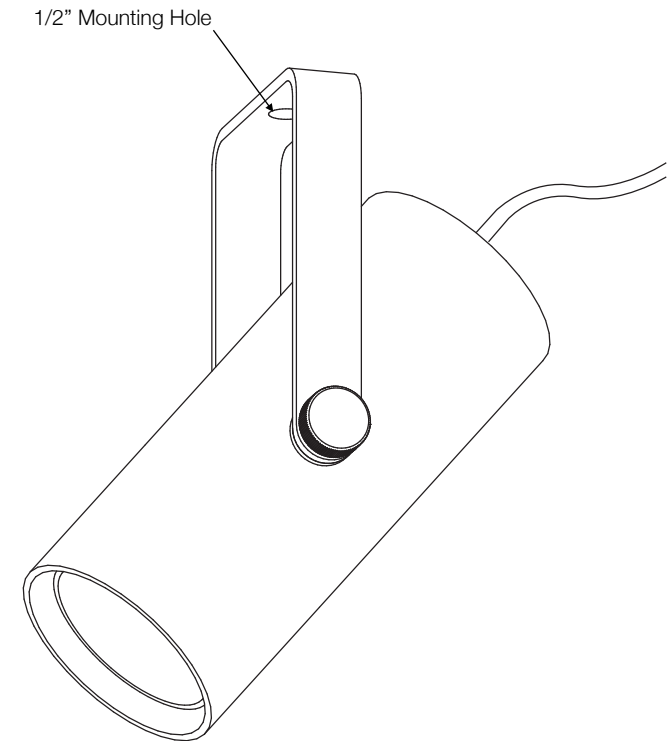
- Read all instructions before installing.
- Turn off power at main switch before installing or modifying the system.
- For installation by a qualified electrician.
- Luminaire is intended for installation in accordance with National Electric Code and local regulations. Consult with local inspector to assure compliance.
- Retain these instructions for future reference.

NOTE

- SUITABLE FOR WET LOCATIONS
CONVIENT AUX EMPLACEMENTS MOUILLÉS
- MIN 90°C SUPPLY CONDUCTORS
LES FILS D'ALIMENTATION DOIVENT CONVENIR POUR 90°C

INSTALLATION

- The yokes are provided with a 1/2" hole for attachment to clamps or mounting hardware (by others).
- Depending on the specific model, the LED driver may be located inside the fixture. If not, it will need to be mounted remotely.
- For internally mounted LED drivers, there will be a three wire cord on the fixture. This should be attached to the line voltage AC branch circuit using the standard color code:
 - 1) Line: Black to Black
 - 2) Neutral: White to White
 - 3) Ground: Green to Green
- For fixtures using remote mounted LED drivers there will be a two wire cord on the fixture. This should be attached to the output of an appropriately sized LED driver.
NOTE: Failure to use the correct driver may result in damage to the LED module that is not covered under warranty.
- Connect the low voltage wires using approved wire connectors as follows:
NOTE: Polarity is critical. Reversing the polarity may result in damage to the LED or the driver that is not covered under warranty.
 - 1) V- : Black wire from the pendant to the black (or blue) wire from the LED driver output.
 - 2) V+ : Red (or white) wire from the pendant to the red wire from the LED driver output.





Installation Instructions CORE Yoke + Rigid Stem Shallow Canopy

WARNING !

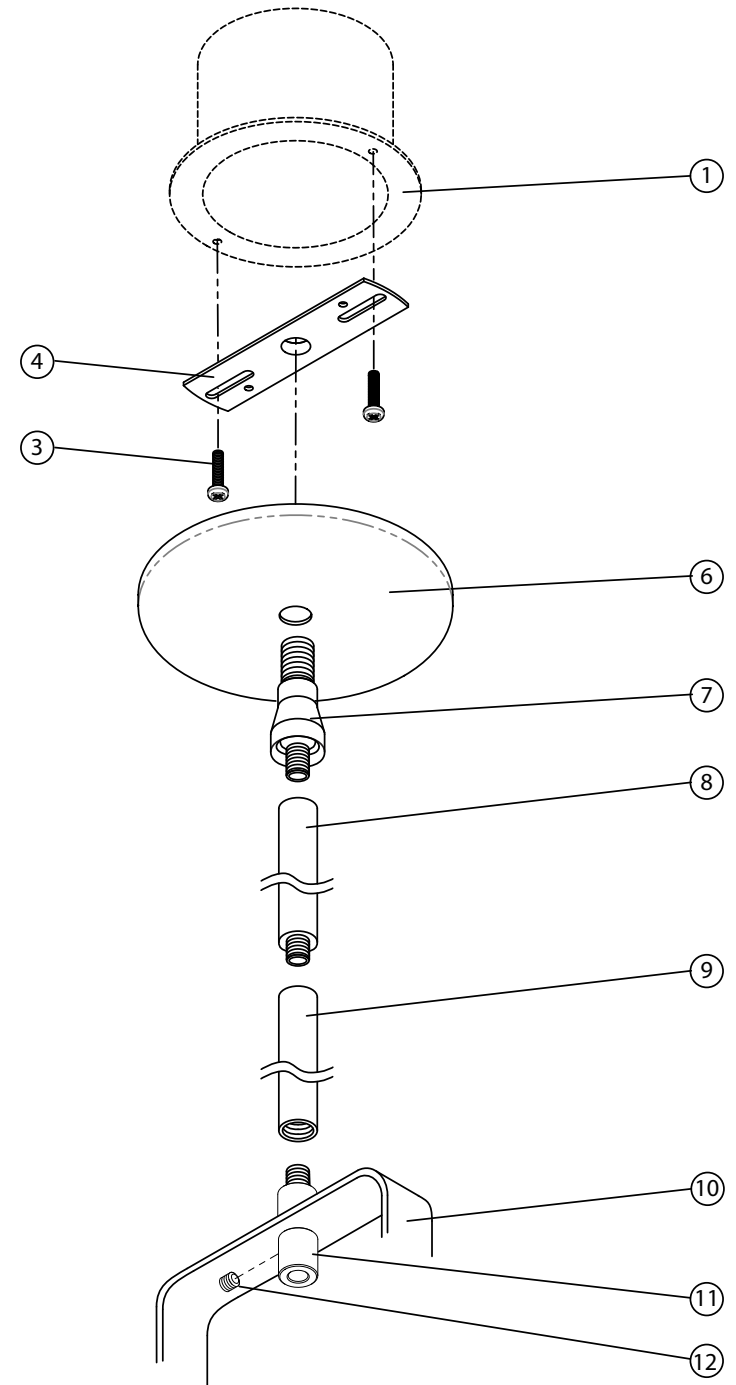
- Read all instructions before installing.
- Turn off power at main switch before installing or modifying the system.
- For installation by a qualified electrician.
- Luminaire is intended for installation in accordance with National Electric Code and local regulations. Consult with local inspector to assure compliance.
- Retain these instructions for future reference.

NOTE

- SUITABLE FOR WET LOCATIONS
CONVIENT AUX EMPLACEMENTS MOUILLÉS
- MIN 90°C SUPPLY CONDUCTORS
LES FILS D'ALIMENTATION DOIVENT CONVENIR POUR 90°C
- The canopy is designed to work with a standard round or octagonal junction box [1] (supplied and installed by others).

INSTALLATION

- Attach the cross bar [4] to the junction box [1] using two 8-32 screws [3].
- Feed the wires from the fixture up through the strain relief [11] and the stem [9].
- Screw the stem [9] onto the yoke strain relief assembly [11].
- If the stem is long it may ship in multiple sections. If so, feed the wires from the first stem section [9] into the end of the second stem section [8] that has the nipple pre-installed. Then screw the stem sections together.
- Feed the wires from the top of the stem [9 or 8] up through the hang-straight [7].
- Screw the hang-straight [7] into the top of the stem.
- Feed the wires from the hang-straight [7] up through the canopy [6] and crossbar [4].
- Connect the wiring:
 - If the fixture has an internal LED Driver, the wires will be line voltage (black, white, green) and should be connected to the branch circuit feed using approved wire connectors.
 - If the fixture is using a remote LED driver, the wires will low voltage (red, black) and should be connected to the output of the LED Driver
- NOTE: Polarity is critical. Reversing the polarity may result in damage to the LED or the driver.
 - 1) V- : Black wire from the pendant to the black or blue wire from the LED driver output.
 - 2) V+ : Red wire from the pendant to the red wire from the LED driver output.
- Screw the hang-straight [7] into the cross bar [4] until it is snug against canopy and the canopy is snug against the finished ceiling.
- The amount of cord between the yoke and the fixture may be adjust by loosening the black nylon set screw [12] on the strain relief [11] under the yoke [10].





Installation Instructions CORE Yoke + Deep Canopy

WARNING !

- Read all instructions before installing.
- Turn off power at main switch before installing or modifying the system.
- For installation by a qualified electrician.
- Luminaire is intended for installation in accordance with National Electric Code and local regulations. Consult with local inspector to assure compliance.
- Retain these instructions for future reference.

NOTE

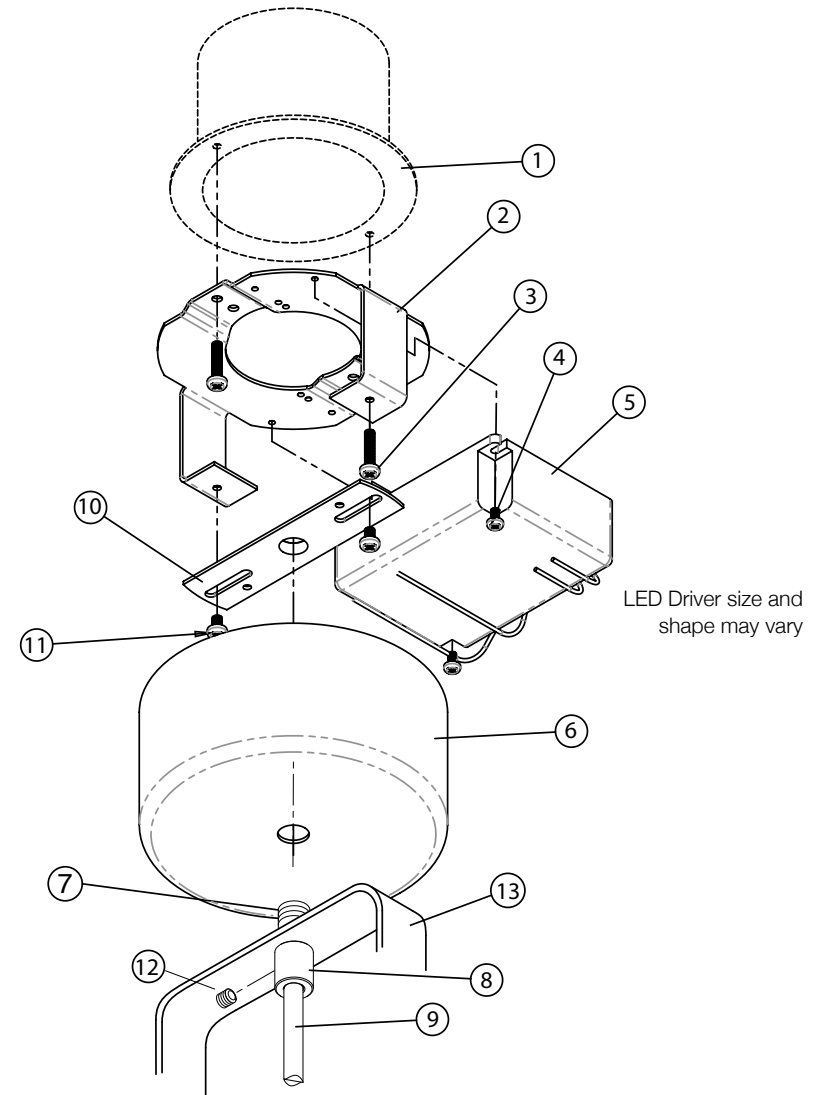
- SUITABLE FOR DAMP LOCATIONS
CONVIENT AUX EMBLACEMENTS HUMIDES
- MIN 90°C SUPPLY CONDUCTORS
LES FILS D'ALIMENTATION DOIVENT CONVENIR POUR 90°C
- The canopy is designed to work with a standard round or octagonal junction box [1] (supplied and installed by others).

INSTALLATION

- Attach the cross bar [10] to the bracket [2] and the bracket to the junction box [1] using two 8-32 screws [3].
- Feed the Line Voltage wires of the LED Driver [5] up through the center of the mounting bracket [2] and connect the wires using approved wire connectors as follows:
 - 1) Line: Black to Black
 - 2) Neutral: White to White
 - 3) Incoming ground wire: Bond to junction box as required.
- Attach the LED Driver to the mounting bracket using two 6-32 screws [4]
- Thread the cord [9] from the fixture through the strain relief [8], threaded pipe nipple [9], yoke [13] and rubber washer [not shown] then through the canopy [6], then through the hole in the center of the cross bar [10].
- Trim excess cord length, leaving at least 6" to make connections inside the junction box.
- Connect the low voltage wires using approved wire connectors as follows:

NOTE: Polarity is critical. Reversing the polarity may result in damage to the LED or the driver.

 - 1) V- : Black wire from the pendant to the black or blue wire from the LED driver output.
 - 2) V+ : White or red wire from the pendant to the red wire from the LED driver output.
- Slide the canopy [6] into position and then screw the strain relief / threaded pipe nipple [7+8] into the cross bar [10] until the canopy is secure against the finished ceiling. Secure the cord by tightening the nylon set screw [12] in the side of the strain relief.





Installation Instructions CORE Yoke + Rigid Stem Deep Canopy

WARNING !

- Read all instructions before installing.
- Turn off power at main switch before installing or modifying the system.
- For installation by a qualified electrician.
- Luminaire is intended for installation in accordance with National Electric Code and local regulations. Consult with local inspector to assure compliance.
- Retain these instructions for future reference.

NOTE

- SUITABLE FOR WET LOCATIONS
CONVIENT AUX EMPLACEMENTS MOUILLÉS
- MIN 90°C SUPPLY CONDUCTORS
LES FILS D'ALIMENTATION DOIVENT CONVENIR POUR 90°C
- The canopy is designed to work with a standard round or octagonal junction box [1] (supplied and installed by others).

INSTALLATION

- Attach the cross bar [4] to the bracket [2] and the bracket to the junction box [1] using two 8-32 screws [3].
- Feed the Line Voltage wires of the LED Driver [5] up through the center of the mounting bracket [2] and connect the wires using approved wire connectors as follows:
 - 1) Line: Black to Black
 - 2) Neutral: White to White
 - 3) Incoming ground wire: Bond to junction box as required.
- Attach the LED Driver to the mounting bracket using two 6-32 screws.
- Feed the low voltage wires from the fixture up through the strain relief [11] and the stem [9].
- Screw the stem [9] onto the yoke strain relief assembly [11].
- If the stem is long it may ship in multiple sections. If so, feed the low voltage wires from the first stem section [9] into the end of the second stem section [8] that has the nipple pre-installed. Then screw the stem sections together.
- Feed the low voltage wires from the top of the stem [9 or 8] up through the hang-straight [7].
- Screw the hang-straight [7] into the top of the stem.
- Feed the low voltage wires from the hang-straight [7] up through the canopy [6] and crossbar [4].
- Connect the low voltage wires using approved wire connectors as follows:
NOTE: Polarity is critical. Reversing the polarity may result in damage to the LED or the driver.
 - 1) V- : Black wire from the pendant to the black or blue wire from the LED driver output.
 - 2) V+ : Red or white wire from the pendant to the red wire from the LED driver output.
- Screw the hang-straight [7] into the cross bar [4] until it is snug against canopy and the canopy is snug against the finished ceiling.
- The amount of cord between the yoke and the fixture may be adjust by loosening the black nylon set screw [12] on the strain relief [11] under the yoke [10].

