



Installation Instructions CORE 200 & 300 Pendant Shallow Canopy

WARNING !

- Read all instructions before installing.
- Turn off power at main switch before installing or modifying the system.
- For installation by a qualified electrician.
- Luminaire is intended for installation in accordance with National Electric Code and local regulations. Consult with local inspector to assure compliance.
- Retain these instructions for future reference.

NOTE

- SUITABLE FOR DAMP LOCATIONS
CONVIENT AUX EMPLACEMENTS HUMIDES
- MIN 90°C SUPPLY CONDUCTORS
LES FILS D'ALIMENTATION DOIVENT CONVENIR POUR 90°C
- The canopy is designed to work with a standard round or octagonal junction box [1] (supplied and installed by others).
- The CORE 200 Pendant uses a remote mounted LED driver which should be installed in accordance with National Electric Code and local regulations.
- The CORE 300 Sconce may have either a remote or internally mounted LED Driver.

INSTALLATION

- Attach the cross bar [2] to the junction box [1] using two 8-32 screws [3].
- Thread the cord [7] from the pendant through the strain relief [6] and threaded pipe nipple [5], then through the hole in the center of the cross bar [2].
- Determine the desired final height of the pendant and tie a backup knot in the cord [7] above the cross bar [2]. Trim excess cord length if necessary.
- Inside the junction box [1], connect the wires using approved wire connectors as follows:

For Remote Mounted LED Driver (CORE 200 or 300):

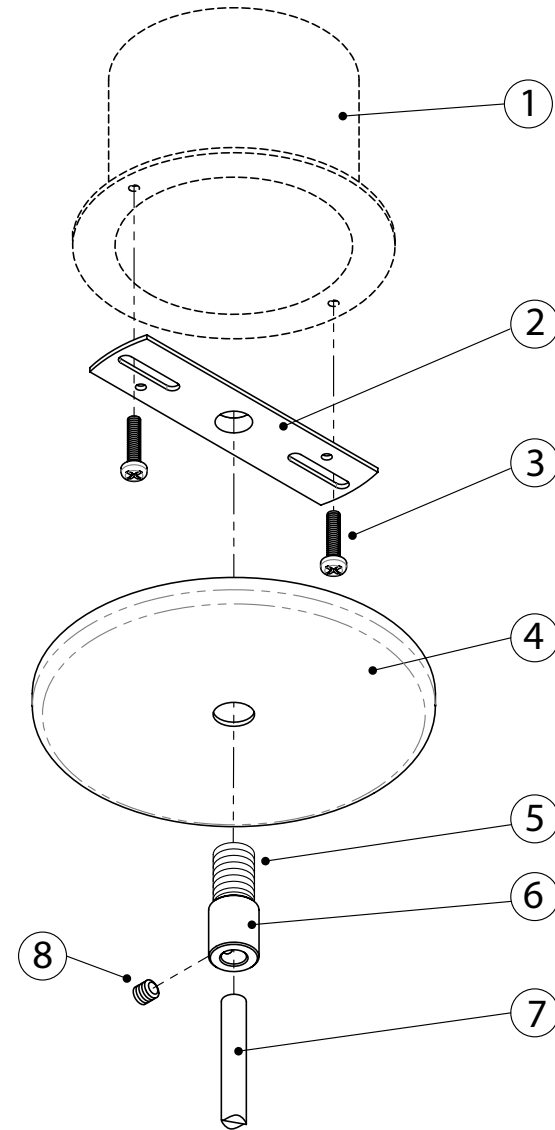
NOTE: Polarity is critical. Reversing the polarity may result in damage to the LED or the driver.

- 1) V- : Black wire from the pendant to the black or blue wire from the LED driver output.
- 2) V+ : White or red wire from the pendant to the red wire from the LED driver output.

For Internal LED Driver (CORE 300 only):

- 1) Line: Black to Black
- 2) Neutral: White to White
- 3) Ground: Green to Green / incoming ground wire. Bond to junction box as required.

- Slide the canopy [4] into position and then screw the strain relief / threaded pipe nipple [5+6] into the cross bar [2] until the canopy is secure against the finished ceiling. Supporting the weight of the pendant by holding the cord will make this easier.
- Secure the cord by tightening the nylon set screw [8] in the side of the strain relief.
- The connection between the cord and the pendant can be rotated to any desired position.





Installation Instructions CORE 200 & 300 Pendant Deep Canopy

WARNING !

- Read all instructions before installing.
- Turn off power at main switch before installing or modifying the system.
- For installation by a qualified electrician.
- Luminaire is intended for installation in accordance with National Electric Code and local regulations. Consult with local inspector to assure compliance.
- Retain these instructions for future reference.

NOTE

- SUITABLE FOR DAMP LOCATIONS
CONVIENT AUX EMBLEMES HUMIDES
- MIN 90°C SUPPLY CONDUCTORS
LES FILS D'ALIMENTATION DOIVENT CONVENIR POUR 90°C
- The canopy is designed to work with a standard round or octagonal junction box [1] (supplied and installed by others).

INSTALLATION

- Attach the cross bar [10] to the bracket [2] and the bracket to the junction box [1] using two 8-32 screws [3].
- Feed the Line Voltage wires of the LED Driver [5] up through the center of the mounting bracket [2] and connect the wires using approved wire connectors as follows:
 - 1) Line: Black to Black
 - 2) Neutral: White to White
 - 3) Incoming ground wire: Bond to junction box as required.
- Attach the LED Driver to the mounting bracket using two 6-32 screws [4]
- Thread the cord [9] from the pendant through the strain relief [6] and threaded pipe nipple [7], then through the canopy [6], then through the hole in the center of the cross bar [10].
- Determine the desired final height of the pendant and tie a backup knot in the cord above the cross bar.
- Trim excess cord length, leaving at least 6" to make connections inside the junction box.
- Connect the low voltage wires using approved wire connectors as follows:
NOTE: Polarity is critical. Reversing the polarity may result in damage to the LED or the driver.
 - 1) V- : Black wire from the pendant to the black or blue wire from the LED driver output.
 - 2) V+ : White or red wire from the pendant to the red wire from the LED driver output.
- Slide the canopy [6] into position and then screw the strain relief / threaded pipe nipple [7+8] into the cross bar [10] until the canopy is secure against the finished ceiling. Supporting the weight of the pendant by holding the cord will make this easier.
- Secure the cord by tightening the nylon set screw [12] in the side of the strain relief.
- The connection between the cord and the pendant can be rotated to any desired position.

