



Job : _____ **Project**

Type : _____

Part # : _____

Trump-it Fuzzie

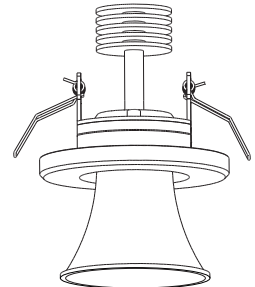
by **LEDLAB**

Description

Trump-it Fuzzie, similar to the Longie but with an elegant, bell-shaped barrel that tilts. Suitable for recessed mounting in ceilings and walls both indoors and outdoors.

Specifications

Brand	LedLab
Source	3 watt or 9.5 watt Surface Mount LED
Input	700mA Constant Current LED Driver
LED Driver	See LED Driver section for driver and dimming options DIMMABLE
C.C.T.	Warm White [3200 K] or Cold White [6000 K]
Lens	25°
Adjustability	Tilts +/- 12° in any direction
Material	Aluminum body with Stainless Steel & Polycarbonate components
Finish	Anodized base + Powder Coat finish
Weight	1.1 lb. [0.5 kg]
Location	Models Listed for Damp & Wet Locations, Non IC rated, ADA Compliant
Approvals	ETL Listed to UL Standards 2108, 8750 and CSA C22.2 No. 9.0-96
Life	> 50,000 hours at 70% lumen maintenance
Warranty	Lifetime Limited Warranty - see warranty for details



WET
LOCATION

DAMP
LOCATION

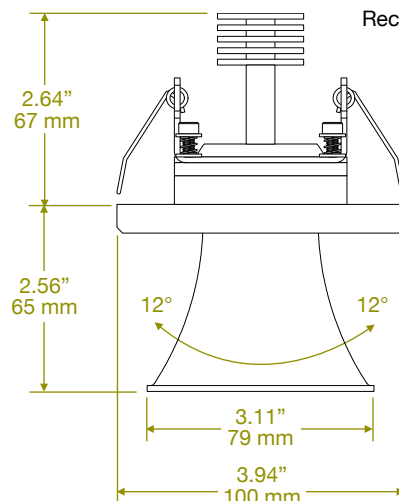


Ordering Info

Model	Wattage	Location	CCT	Lens	Material	Color & Finish
LTMF				25	A	
LTMF	3 = 3W 9 = 9.5W	D = Damp W = Wet	32 = 3200 K 60 = 6000 K	25 = 25°	A = Alum.	WHG = White Gloss SGT = Silver Gray Texture BKT = Black Texture

Custom materials and finishes available. See Finish Chart - LedLab Series for options.

Dimensions



Recommended Mounting Hole Diameter = 2.875" [-72 mm]

Not to Scale