

**PROJECT INFO**

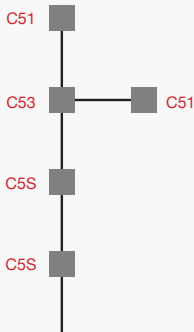
PO # \_\_\_\_\_  
Job Name \_\_\_\_\_  
Type \_\_\_\_\_

**Required Must be signed & submitted w/ PO**

Approved \_\_\_\_\_  
Signature \_\_\_\_\_  
Date \_\_\_\_\_

**STEP BY STEP**

① draw the conduit layout



② count the cutout variations

variations	½ trade EMT conduit	QTY.	¾ trade EMT conduit	QTY.
none	C00		C00	
one cutout	C51	2	C71	
two at 90°	C5L		C7L	
two at 180°	C5S	2	C7S	
three cutout	C53	1	C73	
four cutout	C54		C74	

③ order by part number

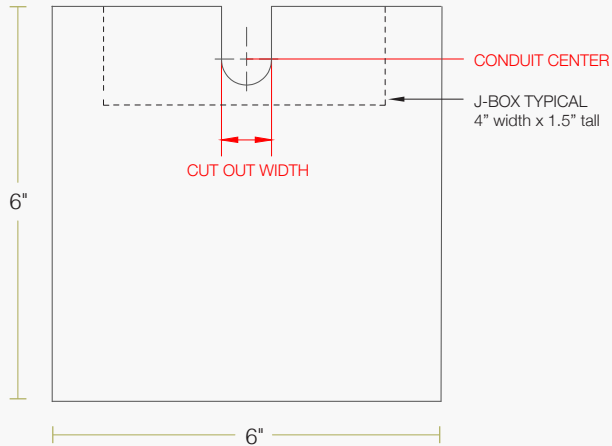
	<b>Part Number</b>	<b>Qty</b>
from data sheet ordering logic	NLSM-C51-V-108035L9-NN-T4	2
from fixture list below	NLSM-C5S-V-108035L9-NN-T4	2
	NLSM-C53-V-108035L9-NN-T4	1

**FIXTURE LIST** (use one data sheet list per project type)

no conduit	Qty.	Complete part #
<b>C00</b>	_____	_____
1/2" conduit	Qty.	Complete part #
<b>C51</b>	_____	_____
<b>C5L</b>	_____	_____
<b>C5S</b>	_____	_____
<b>C53</b>	_____	_____
<b>C54</b>	_____	_____
3/4" conduit	Qty.	Complete part #
<b>C71</b>	_____	_____
<b>C7L</b>	_____	_____
<b>C7S</b>	_____	_____
<b>C73</b>	_____	_____
<b>C74</b>	_____	_____

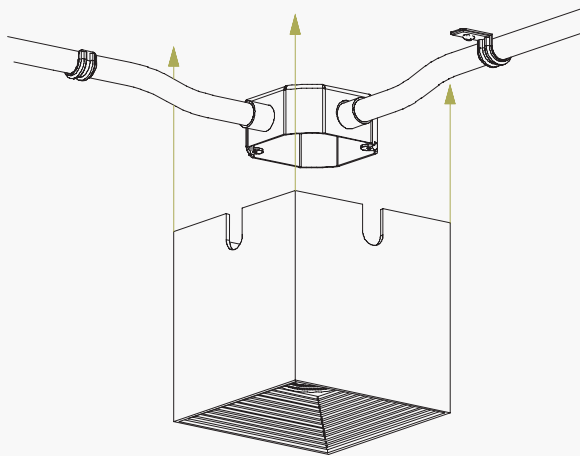
variations	½ trade EMT conduit	QTY.	¾ trade EMT conduit	QTY.
none	C00		C00	
one cutout	C51		C71	
two at 90°	C5L		C7L	
two at 180°	C5S		C7S	
three cutout	C53		C73	
four cutout	C54		C74	

## DIMENSIONS

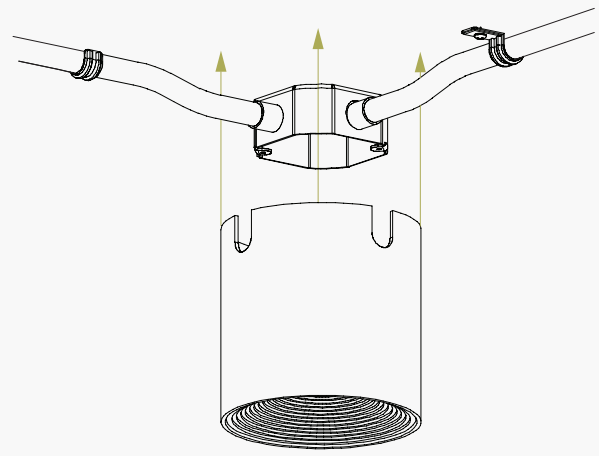


	1/2" trade EMT conduit	3/4" trade EMT conduit
cut out width	.79 in [20 mm]	1.0 in [25.5 mm]
conduit center	.83 in [21 mm]	.89 in [22.5 mm]

- Standard cutout are designed to work with 1.5" deep junction boxes
- Fits standard 3.5" and 4" round and octagonal junction boxes
- For other junction box / conduit sizes, please consult factory
- Junction boxes, conduit and conduit fittings provided by others
- Not to scale; dimensions are nominal. Visit our website for CAD drawings



NOVA LARGE SQUARE SURFACE MOUNT



NOVA LARGE ROUND SURFACE MOUNT